



INSTALLATION INSTRUCTIONS

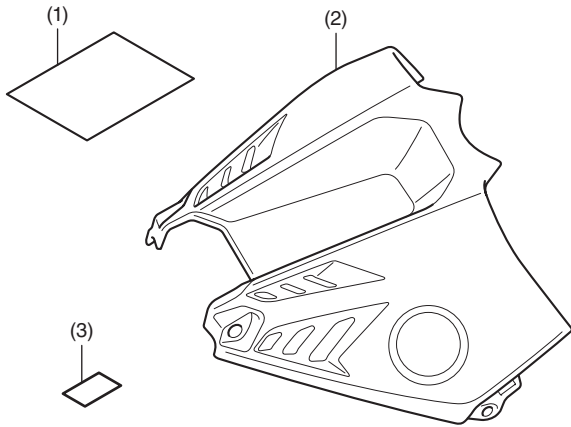
Accessory
FRONT SHELTER
P/N 08F74-MKR-D10

Application
CBR1000ST/SP

Publication No.
MII
Issue Date
December 2019

Honda Dealer: Please give a copy of these instructions to your customer.

PARTS LIST



No.	Description	Qty
(1)	URL paper	1
(2)	Front shelter	1
(3)	French translation label	1

TOOL AND SUPPLIES REQUIRED

- Scale
- Isopropyl alcohol
- Shop towel

TORQUE INFORMATION

Refer to the Service Manual for the torque values of the removed parts.

INSTALLATION

CAUTION

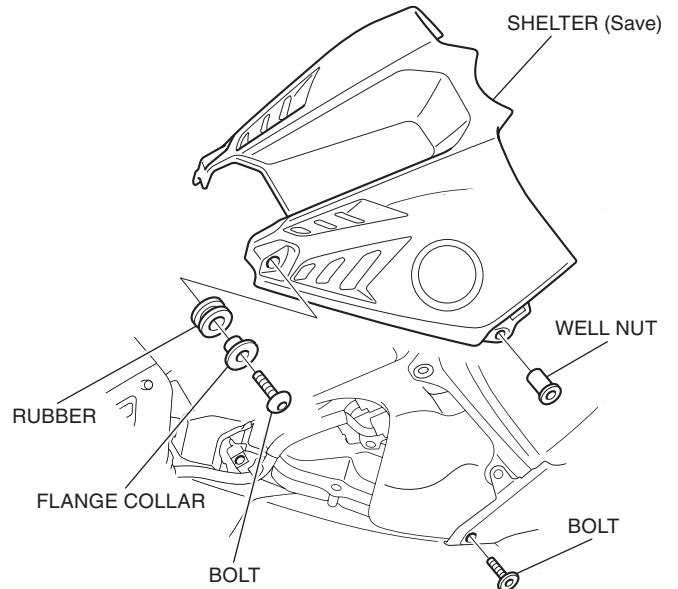
- To prevent burns, allow the engine, exhaust system, radiator, etc., to cool before installing the accessory.

NOTE:

- Heat the bonding surfaces with a hair dryer if the ambient air temperature is below 21°C (70°F).
- The adhesive reaches full strength in 72 hours. Wait at least 24 hours before riding your motorcycle.
- Take care not to damage the painted surfaces of the motorcycle.
- Save all removed parts unless otherwise indicated.

- Illustration shows CBR1000ST type, another type is similar.

- Refer to the Service Manual for the motorcycle, remove the motorcycle parts.
 - Repeat on the right side.



- Install the front shelter as shown.
 - Repeat on the right side.

